

# VALVES - SOLENOID MEDIUM PRESSURE

MODEL: 1271 - SVM

Revision: 0

BULLETIN  
1271

## DESCRIPTION

The SVM-25 series are electrically operated solenoid type on-off gas valves for main line or pilot line service. Suitable for all types of gas-fired heating equipment.

Normally closed – close on current failure. Replaceable coil for simplicity of field service.

## SPECIFICATIONS

Service ..... Natural, manufactured, mixed, and LP gases.

Body Material ..... Aluminum

Seals & Discs ..... Buna – N

Electrical voltage ..... 120v - 60 Hz.

Electrical wiring ..... 2 – wire control circuit. Replaceable coil.  
Solenoid jacket rotates 360°. 18" wire leads.

Electrical Coil ..... Class F coil suitable for temperature to 125° F.

Maximum Operating  
Pressure Differential ..... 5 psi



3SVM TO 6SVM



8SVM TO 16SVM

## FEATURES

- Normally closed on current failure.
- Soft seat - tight shutoff.
- Rotatable solenoid - replaceable coil.
- UL and CSA Listed.
- CGA and AGA design certified.
- FM Approved for safety shutoff through 3/4" size.
- All types of gases.

## APPROVALS



CAUTION: Operation of combustion equipment can be hazardous resulting in bodily injury or equipment damage. Each burner should be supervised by a combustion safeguard and only qualified personnel should install, make system adjustments and perform any required service.



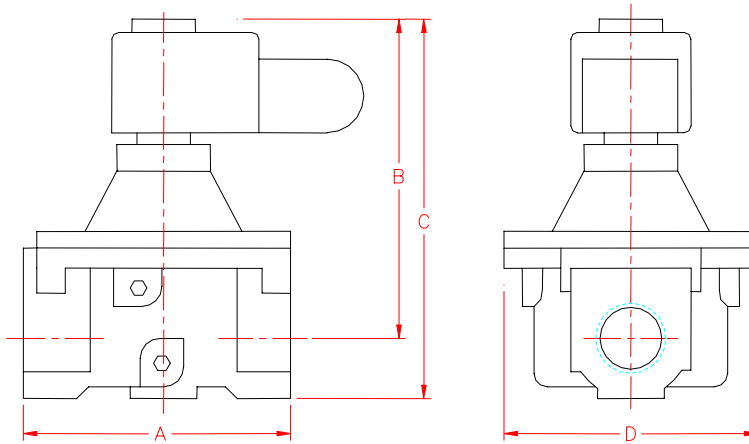
**ORDAN THERMAL PRODUCTS LTD**  
Combustion Equipment & Controls for Industry  
21 Amber St # 9, Markham Ontario Canada L3R 4Z3  
Tel: (905) 475-9292 Fax: (905) 475-3286  
[www.ordanthermal.com](http://www.ordanthermal.com)

NOTICE: PYRONICS practices a policy of continuous improvement in the design of its products. It reserves the right to change the specifications at any time without prior notice.

# VALVES - SOLENOID MEDIUM PRESSURE

BULLETIN 1271  
PAGE NO. 2

## DIMENSIONS



Model Number	Pipe Size NPT	A	B	C	D	Weight	
						Lbs.	Kgs.
3SVM	3/8	2-3/4	3-15/32	4-1/32	2-23/64	1.7	0.77
4SVM	1/2	2-3/4	3-15/32	4-1/32	2-23/64	1.7	0.77
6SVM	3/4	3-5/16	3-21/32	4-15/32	2-11/32	1.8	0.82
8SVM	1	5	5-15/32	6-13/16	5-3/8	3.5	1.59
10SVM	1-1/4	5	5-17/32	6-13/16	5-3/8	3.5	1.59
12SVM	1-1/2	5	5-17/32	6-13/16	5-3/8	3.5	1.59
16SVM	2	6-3/32	5-29/32	7-13/32	6-5/16	5.5	2.49

NOTE: All dimensions are in inches.

## CAPACITY TABLE

Model Number	Pipe Size NPT (inches)	Orifice Size (inches)	Cv Flow Factor	Gas Capacity * Btu/Hr.	Operating ** Pressure Differential (psi)		Fluid & Ambient Temperature (F)		Watt Rating / Class of Coil Insulation	Power Consumption	
					Min.	Max.	Min.	Max.		VA Holding	VA Inrush
					3SVM	3/8	3/4	3.4		183,000	0
4SVM	1/2	3/4	4.4	238,500	0	5	- 40	125	17.1/F	40	93
6SVM	3/4	3/4	5.1	247,500	0	5	- 40	125	17.1/F	40	93
8SVM	1	1-5/8	21.0	1,119,000	0	5	- 40	125	20/F ***	43	240
10SVM	1-1/4	1-5/8	32.0	1,730,000	0	5	- 40	125	20/F ***	43	240
12SVM	1-1/2	1-5/8	35.0	1,900,000	0	5	- 40	125	20/F ***	43	240
16SVM	2	2-3/32	60.0	2,800,000	0	5	- 40	125	20/F ***	43	240

\* 1" W.C. Drop @ 2" W.C. Inlet Pressure, 1,000 Btu/Cu. Ft. or more, 0.64 Sp. Gr. Gas

\*\* Fuel Gas Service Only

\*\*\* Must be mounted with solenoid vertical and upright.

## ORDERING INFORMATION

1. Specify Model Number and Quantity
2. Shipping Instructions