

# VALVES FLANGED BUTTERFLY PNEUMATIC PACKAGE

MODEL: 1303-BV-CPAP

Revision: 0

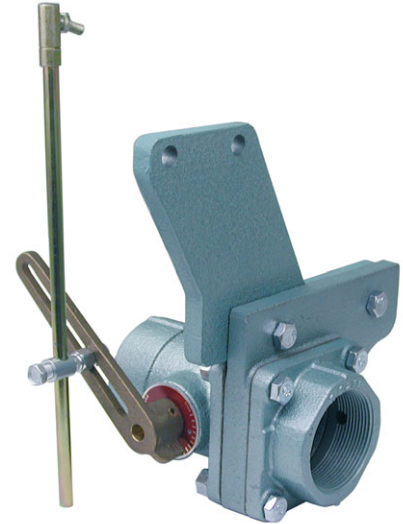
BULLETIN  
1303

## DESCRIPTION

The BV-CPAP pneumatic operated butterfly valves are used for modulating air and gas flows for most types of combustion systems. The flanged construction eliminates the need for pipe unions. A unique "O"-Ring seal prevents leakage around the shaft.

The valve crank rotates through an 80° arc. Disc position is indicated by the crank arm pointer relative to the valve nameplate scale. The mounting bracket is pre-drilled for a Pyronics PA-6 pneumatic actuator (see Bulletin 1701).

The BV-CPAP includes the butterfly valve, motor mounting brackets, valve crank arm, and an adjustable linkage rod.



## CAPACITY TABLE

Model Number	Pipe Size NPT (in.)	SCFH Air Wide Open Capacity at 1" W.C. Pressure Drop
6BV-CPAP	3/4	900
8BV-CPAP	1	1,100
10BV-CPAP	1-1/4	2,500
12BV-CPAP	1-1/2	2,800
16BV-CPAP	2	5,200
20BV-CPAP	2-1/2	8,600
24BV-CPAP	3	13,100
32BV-CPAP	4	25,000
48BV-CPAP	6	55,000

## FEATURES

- Economical automatic flow control valve
- For most fuel gases and air
- Double bearing shaft - positive alignment
- "O"-Ring sealed shaft
- Disc position indicator
- Cast iron body and steel disc
- Lubricated swivel joints
- Easily adjustable
- 1/8" NPT tap for pressure

CAUTION: Operation of combustion equipment can be hazardous resulting in bodily injury or equipment damage. Each burner should be supervised by a combustion safeguard and only qualified personnel should install, make system adjustments and perform any required



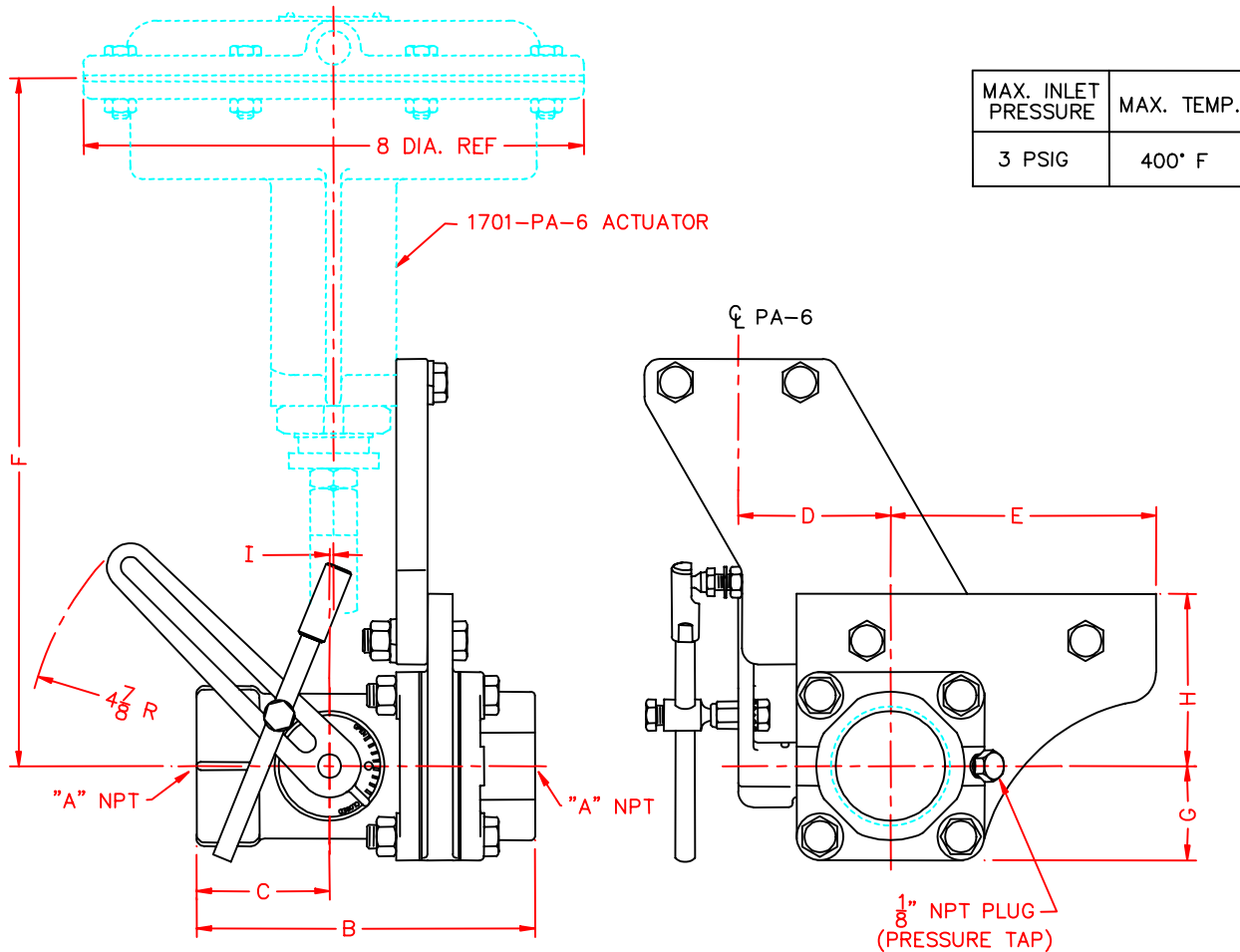
**ORDAN THERMAL PRODUCTS LTD**  
Combustion Equipment & Controls for Industry  
21 Amber St # 9, Markham Ontario Canada L3R 4Z3  
Tel: (905) 475-9292 Fax: (905) 475-3286  
[www.ordanthermal.com](http://www.ordanthermal.com)

NOTICE: PYRONICS practices a policy of continuous improvement in the design of its products. It reserves the right to change the specifications at any time without prior notice.

# VALVES FLANGED BUTTERFLY PNEUMATIC PACKAGE

BULLETIN 1303  
PAGE NO. 2

## DIMENSIONS



Note : 48BV-CPAP is flanged on both sides

Model Number	A	B	C	D	E	F	G	H	I	Weight	
										Lbs.	Kgs.
6BV-CPAP	3/4	4-7/8	2	2-1/4	4-7/16	10-5/8	1-3/16	2-7/16	0	7.8	3.5
8BV-CPAP	1	4-7/8	2	2-1/4	4-7/16	10-5/8	1-3/16	2-7/16	0	7.8	3.5
10BV-CPAP	1-1/4	5-1/2	2-1/8	2-7/16	4-1/4	11	1-1/2	2-3/4	1/16	9.8	4.4
12BV-CPAP	1-1/2	5-1/2	2-1/8	2-7/16	4-1/4	11	1-1/2	2-3/4	1/16	9.8	4.4
16BV-CPAP	2	5-3/4	2-3/8	2-11/16	4	11-1/4	1-3/4	3	1/16	12.3	5.6
20BV-CPAP	2-1/2	6-1/4	2-5/8	2-15/16	3-3/4	11-1/2	2	3-1/4	3/16	14.9	6.7
24BV-CPAP	3	6-5/8	2-3/4	3-1/4	3-7/16	11-3/4	2-3/16	3-7/16	1/4	15.5	7.0
32BV-CPAP	4	7	3-1/8	3-3/4	3	12-1/2	3	4-1/4	3/8	18.0	8.1
48BV-CPAP	6	10-1/2	5	5-1/8	4-3/8	13-1/2	4	5-1/4	1-3/4	37.0	16.7

NOTE: All dimensions are in inches.

## ORDERING INFORMATION

1. Specify Model Number and Quantity
2. Specify Model Number of Pneumatic Actuator (if required)
3. Shipping Instructions